

# THE MINIMAT E CONVECTION OVEN

SMALL OVENS, HIGH TECHNOLOGY, FANCY DETAILS.

- DISPLAY BAKING
- GERMAN ENGINEERING
- COOL-TO-THE-TOUCH
- SMALL & COMPACT
- COUNTERTOP DESIGN
- VERY LOW POWER CONSUMPTION
- STAINLESS STEEL CONSTRUCTION
- BAKES EVENLY – NO TURNING PANS



## DESIGN

Modern technology in an attractive appearance. MINIMAT present themselves in an attractive, noble light-grey colour, ensuring a good-looking and pleasant integration into the design of your sales areas.

## OPTIMUM INSULATION

The oven door with its multiple, heat reflective glass panels functions as a reliable heat shield. It reduces the reflective heat, keeps the outside of the door cool and effectively helps to save energy. Convenient: the door panel can be tilted for easier cleaning.

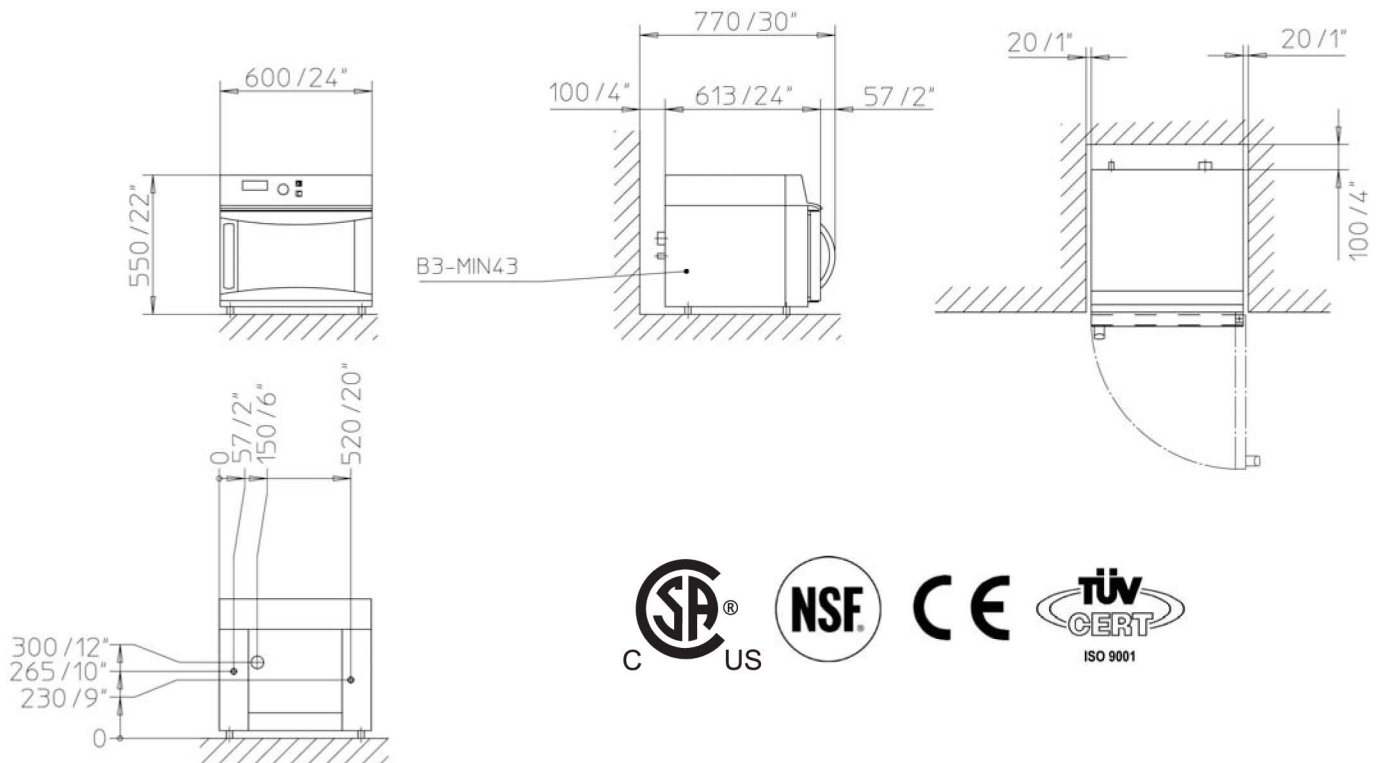
## VENTILATOR MOVEMENT

### RIGHT AND LEFT

Appetizing browning on all sides? With the automatic ventilator movement right and left, the MINIMAT provides an even and gentle/mild browning of the baking products.

MINIMAT E	
Dimensions	24" wide x 24" deep x 22" high
Weight	93 lbs.
Number of shelves	3 @ 3.5" spacing
Tray size	Half sheet, 13" x 18"
Power supply	208 – 240 v, 60 Hz, single phase
Circuit	20 amps
Normal Current	12.2 – 14 amps
Load	2.6 – 3.4 Kw
Plug	NEMA 6-20 P
Controls	manual with dials
Maximum Temperature	485 °F
Water Connection	3/4" or water tank

## Drawings ( mm / inch )



BAKE-OFF OVENS COMBI STEAMERS TRAINING SERVICE  
 SINIYCO is an Official US Representative of Wiesheu GmbH Germany.  
 SINIYCO · PO BOX 2245 · Carmichael, CA 95609 · USA  
 Phone +1 916 2675559 · www.siniyco.com · contact@siniyco.com

www.wiesheuoovens.com  
 www.siniyco.com

